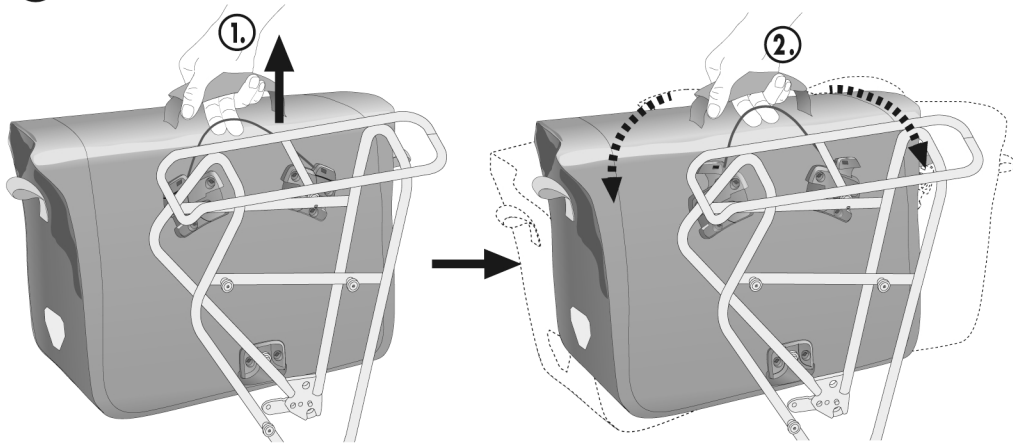
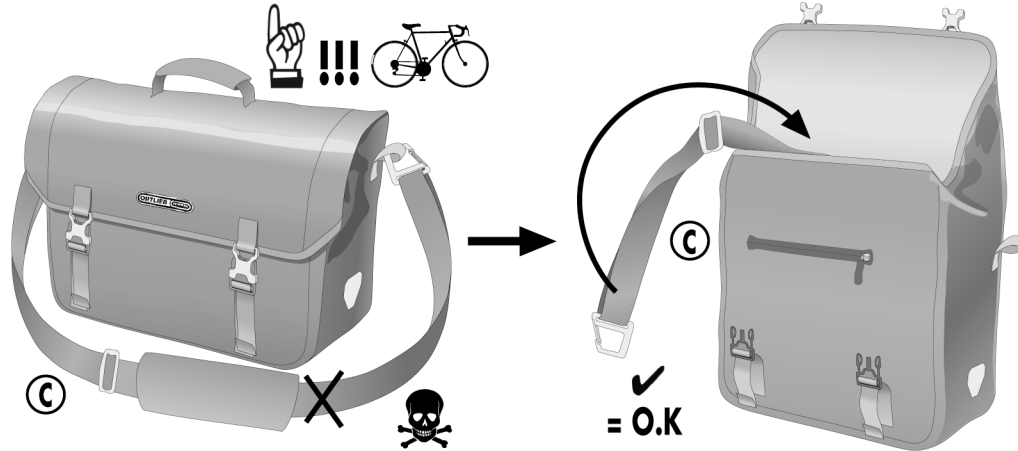


2 DEMOUNT BAG



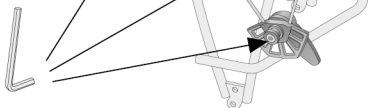
3 CLOSE BAG



CHECK SECURE MOUNTING BEFORE RIDING



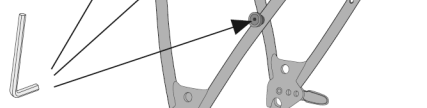
- 1.) 100 km (60 Miles)
- 2.) 500 km (300 Miles)
- 3.) 1000 km (600 Miles)
- 4.) 1500 km (900 Miles)
- etc.



1,5 Nm



- 1.) 100 km (60 Miles)
- 2.) 500 km (300 Miles)
- 3.) 1000 km (600 Miles)
- 4.) 1500 km (900 Miles)
- etc.



1,5 Nm

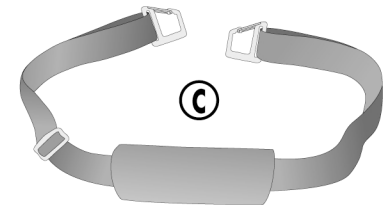
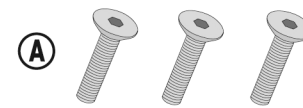
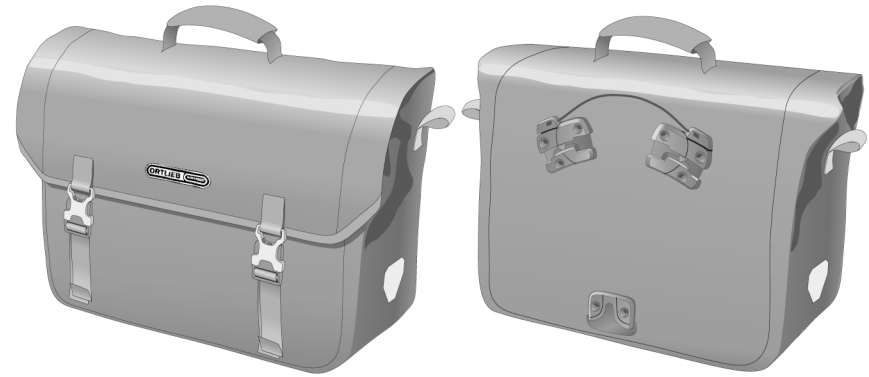
COMMUTER-BAG TWO QL3.1

ORTLIEB WATERPROOF

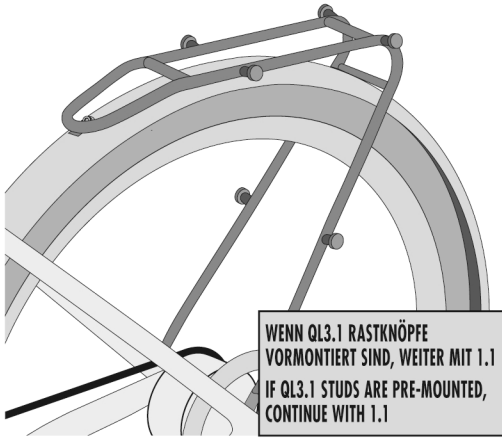
- DE MONTAGEANLEITUNG:
- GB ASSEMBLY INSTRUCTIONS:
- FR INSTRUCTIONS DE MONTAGE:
- IT ISTRUZIONI DI MONTAGGIO:
- NL MONTAGE HANDLEIDING:
- DK MONTERINGSVEJLEDNING:
- ES INSTRUCCIONES DE MONTAJE:
- SE MONTERINGSANVISNING:
- NO MONTERINGSANVISNING:
- FI ASENNUSOHJEET:
- PL INSTRUKCJA MONTAŻU:
- JP 装着方法



- INHALT:
- CONTENTS:
- CONTENU:
- CONTENUTO:
- INHOUD:
- INDHOLD:
- CONTENTO:
- INNEHÅLL:
- INNHOOLD:
- SISÁLLYS:
- ZAWARTOSC:
- 内容物



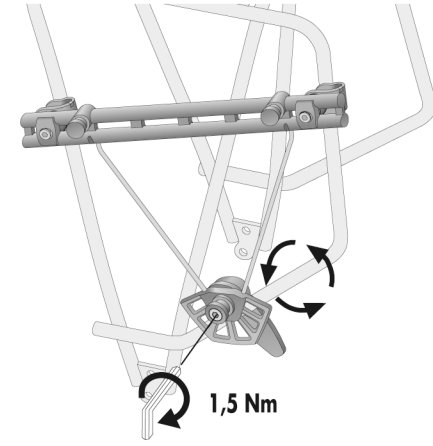
RACK 1 QL3.1 INTEGRATED



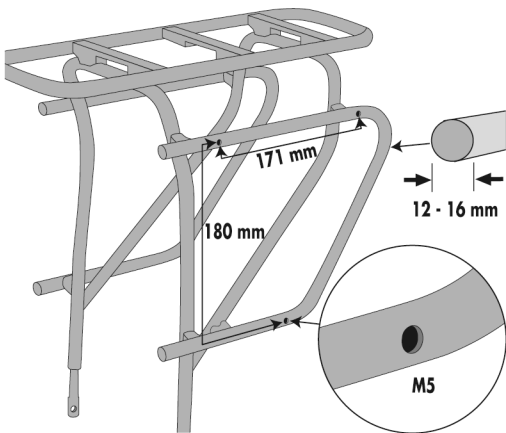
RACK 2 QL3.1 COMPATIBLE



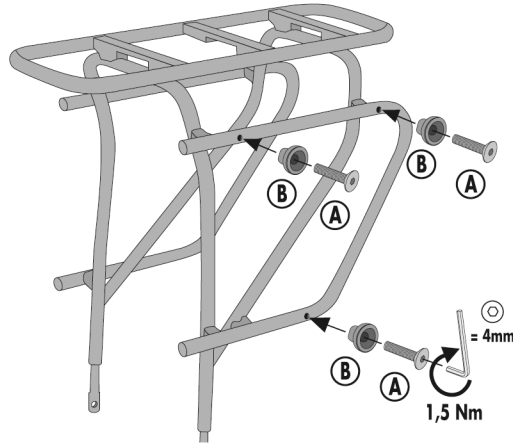
RACK 4.2 MOUNTED ACCESSORIES



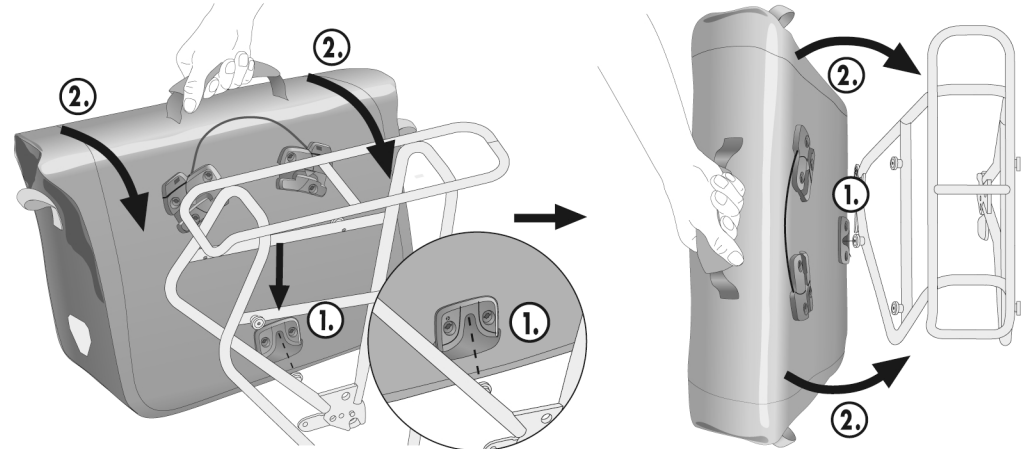
RACK 3 COMPATIBLE MOUNTING POSITION



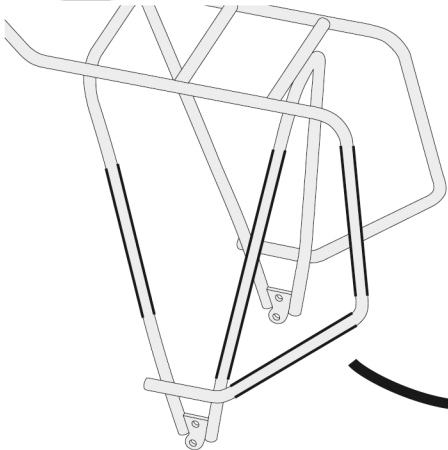
RACK 3.1 MOUNT QL3.1 STUDS



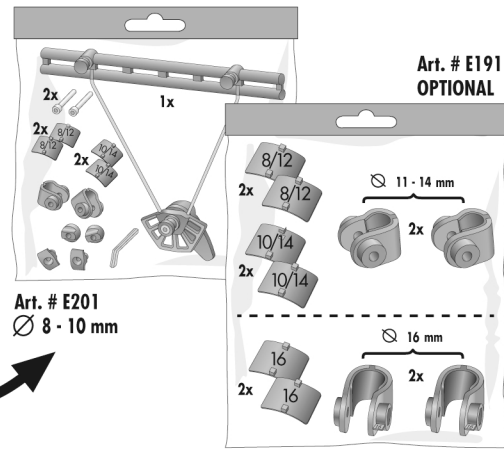
1.1 MOUNT BAG



RACK 4 WITHOUT DIRECT COMPATIBILITY



RACK 4.1 REQUIRED ACCESSORIES



1.2 MOUNT BAG

